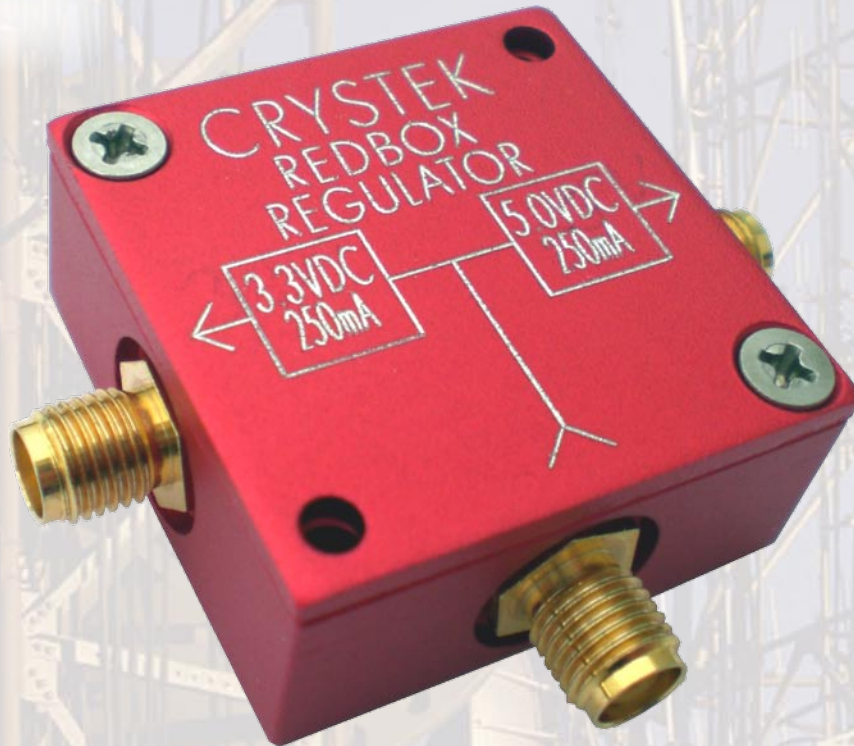




**CRYSTEK**  
CRYSTALS  
A DIVISION OF CRYSTEK CORPORATION

# RedBox

## REGULATOR



Crystek's new **RedBox** Series Regulators offer DC Voltage Regulation integrated in a rugged Connectorized SMA housing. Simply connect the +6Vdc wall adapter to the input using the adapter cable and it will provide a clean dual regulated 250mA DC output at the specified voltage. Available off the shelf in +1.8 / +2.5 Vdc and +3.3 / +5.0 Vdc. Customers may also specify output voltage combinations. Perfect for Lab use when a dual DC output power supply is required.

The **RedBox** Regulator is also offered in a kit that includes all items required to provide a DC power supply solution.



**CRYSTEK**  
CORPORATION

12730 COMMONWEALTH DRIVE • FORT MYERS, FL 33913

PHONE: 239-561-3311 • 800-237-3061 Rev.: A  
FAX: 239-561-1025 • WWW.CRYSTEK.COM Date: 12-21-07



**CRYSTEK**  
CRYSTALS  
A DIVISION OF CRYSTEK CORPORATION

# RedBox REGULATOR

Part Number	Description
CRBR-1.8-2.5V-KIT	+1.8Vdc & +2.5Vdc RedBox Regulator, Adapter Cable, Wall Adapter, SMA to Alligator Clips
CRBR-3.3-5.0V-KIT	+3.3Vdc & +5.0Vdc RedBox Regulator, Adapter Cable, Wall Adapter, SMA to Alligator Clips
CRBR-1.8-2.5V	+1.8Vdc & +2.5Vdc Connectorized Regulator
CRBR-3.3-5.0V	+3.3Vdc & +5.0Vdc Connectorized Regulator
CCADP-MM-6	RG174 Cable, SMA/2.1mm Male/Male
CCSMACL-MC-24	24" RG174 Cable, SMA to Alligator Clips
CTRAN-600	+6Vdc (0.6A) Wall Adapter

**PRO POWER SPEC:**

**Operating Temp.** -40°C to 85°C  
**Storage:** -45°C to 90°C  
**Input Voltage:**  
 (CRBR-1.8-2.5V) +3.0Vdc Min., +6Vdc Max.  
 (CRBR-3.3-5.0V) +5.5Vdc Min., +6Vdc Max.  
**Output Voltage:** Per PN Selection  
**Output Current per side:** 250 mA Max  
**Output Voltage Tolerance:** +/- 1% Max

**Caution:** Care must be taken when using unspecified wall adapters as unloaded voltage may exceed specified input voltage resulting in regulator damage.

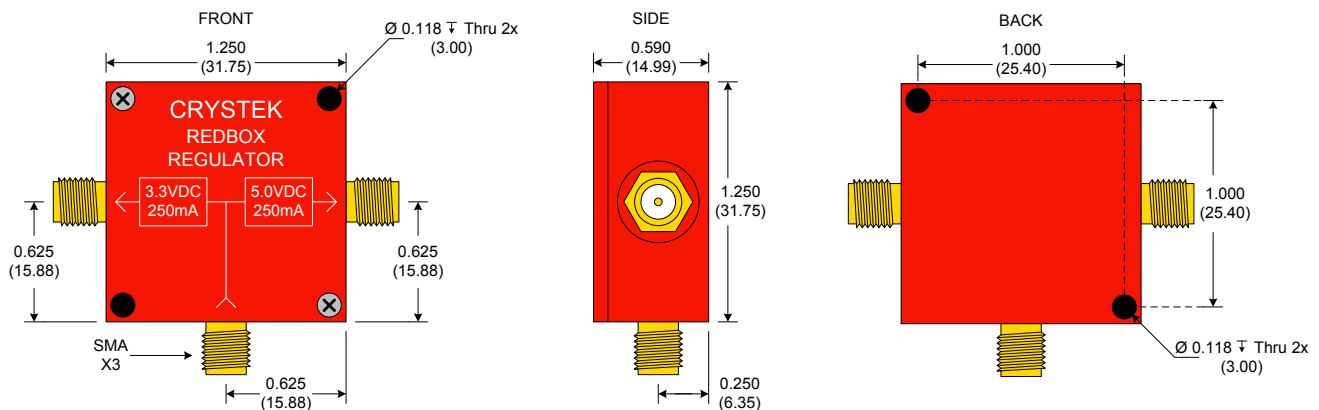
Adapter Cable P/N CCADP-MM-6  
Supplied with Kit.



Adapter Cable P/N CCSMACL-MC-24  
Supplied with Kit.



+6Vdc Wall Adapter P/N CTRAN-600  
Supplied with Kit.



**CRYSTEK**  
CORPORATION

12730 COMMONWEALTH DRIVE • FORT MYERS, FL 33913

PHONE: 239-561-3311 • 800-237-3061

FAX: 239-561-1025 • WWW.CRYSTEK.COM

Rev.: A  
Date: 12-21-07